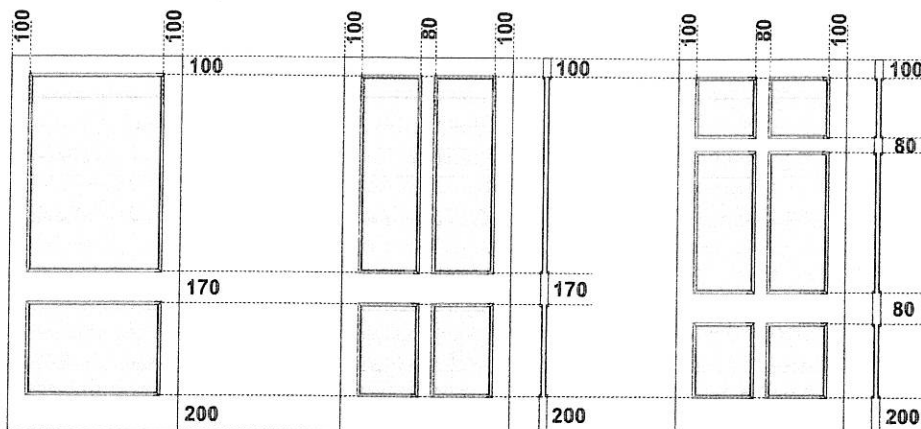


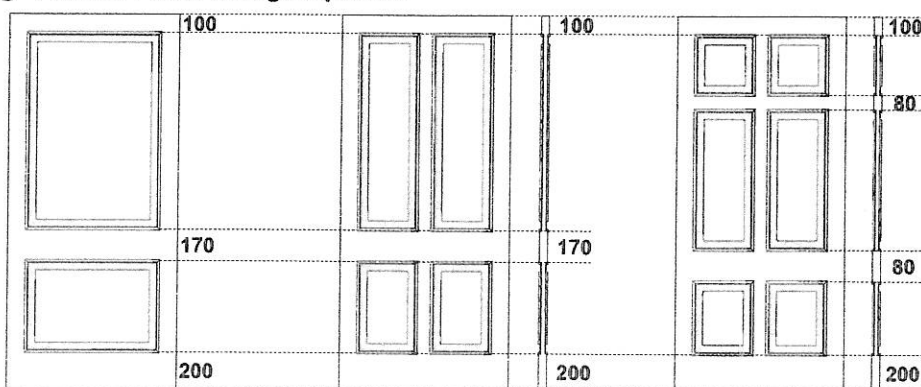
Minimum Stile, Rail & Mullion Dimensions for Fire Door Applications:

Recessed Panel Design Options:

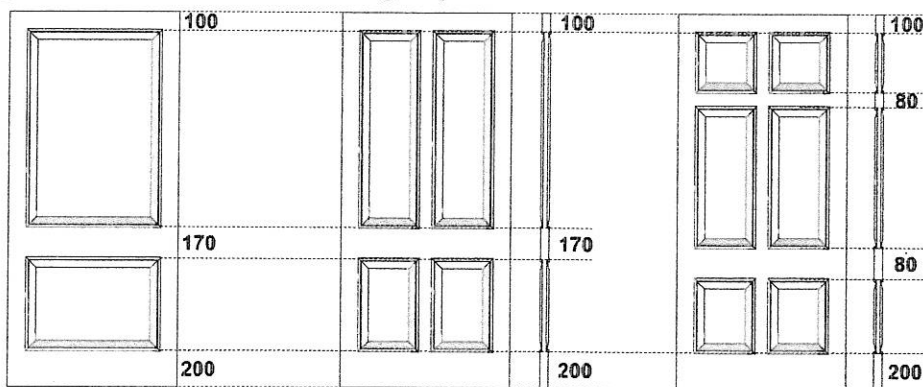
Fig. 13.2



Planted Panel Design Options:



Raised & Fielded Panel Design Options:



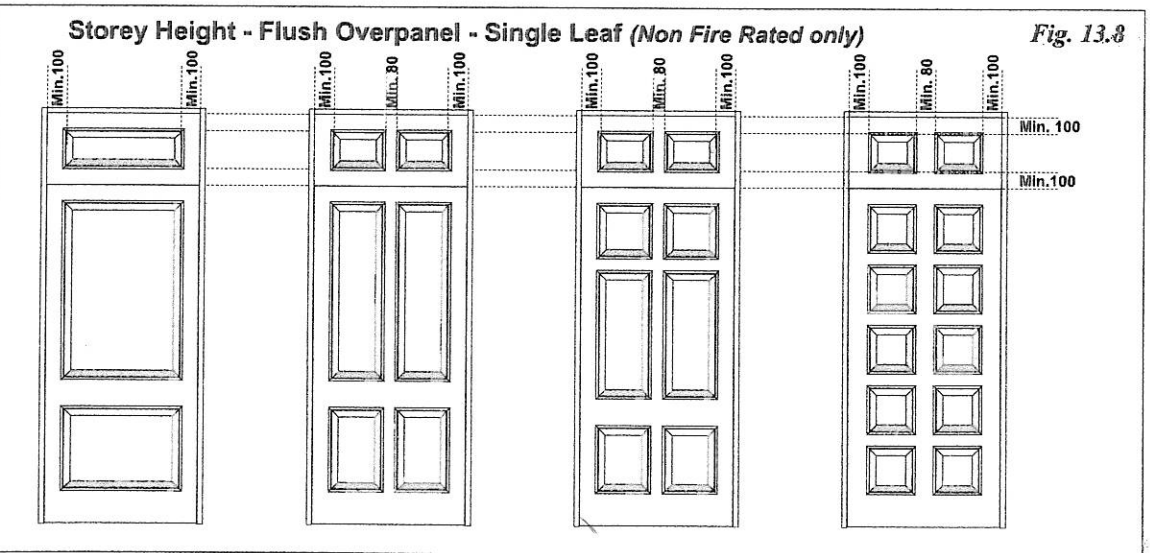
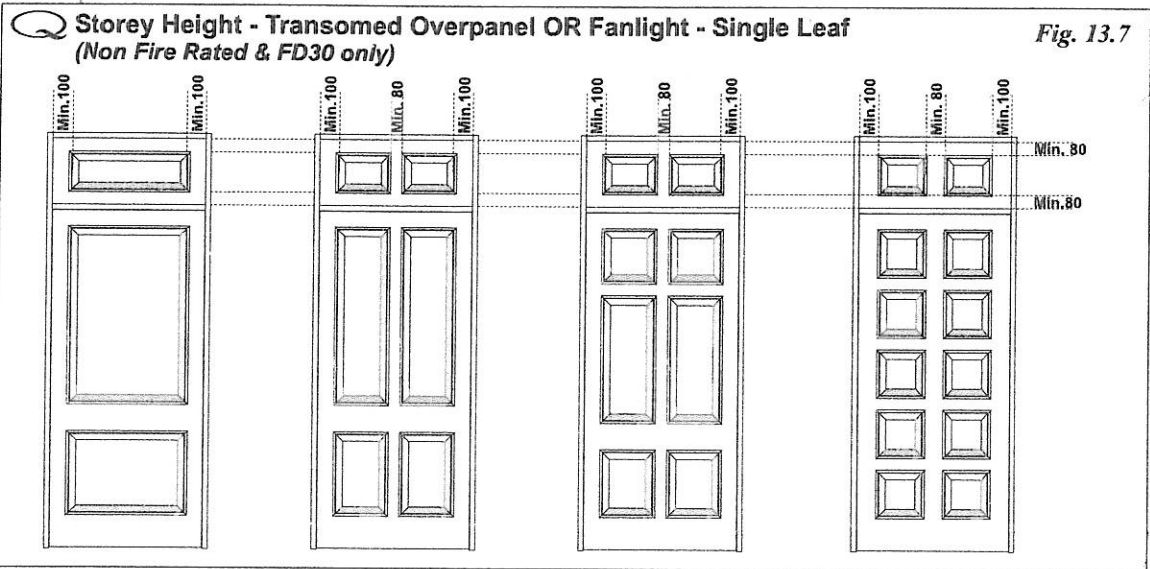
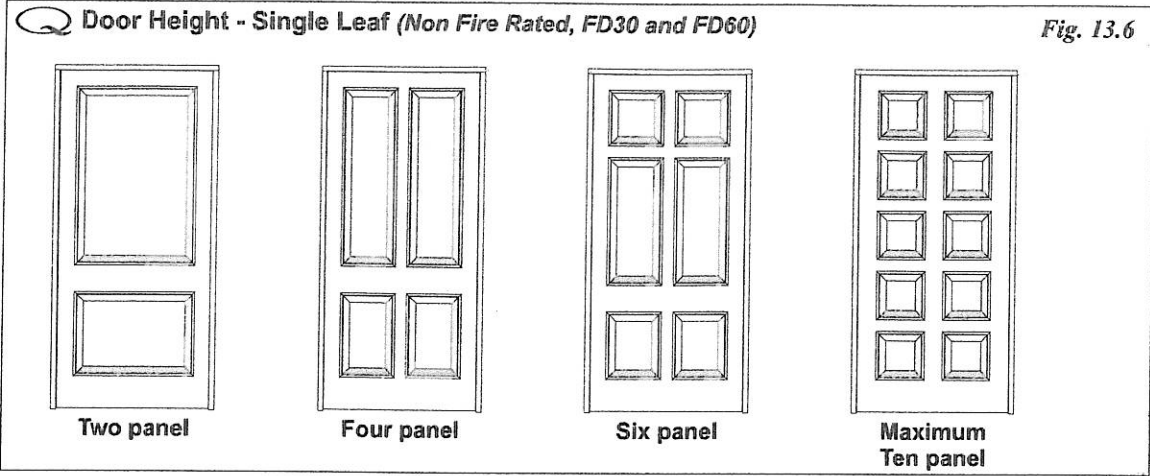
NOTES:

- 1/Where a single horizontal mid rail is used: Minimum mid rail height = 170mm.
- 2/Where intermediate rails are used (more than one horizontal rail) the minimum intermediate rail height = 80mm.
- 3/All mullion widths = Min. 80mm



Panelled Doors

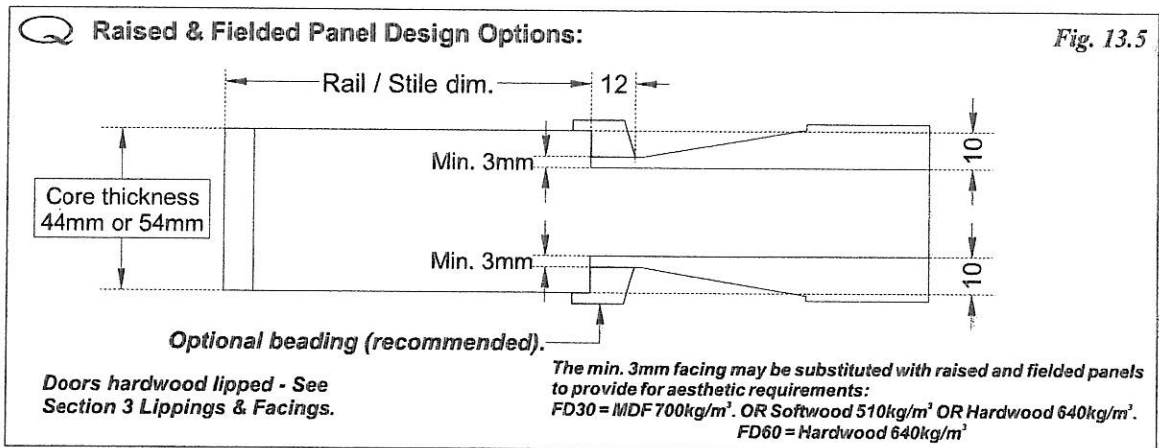
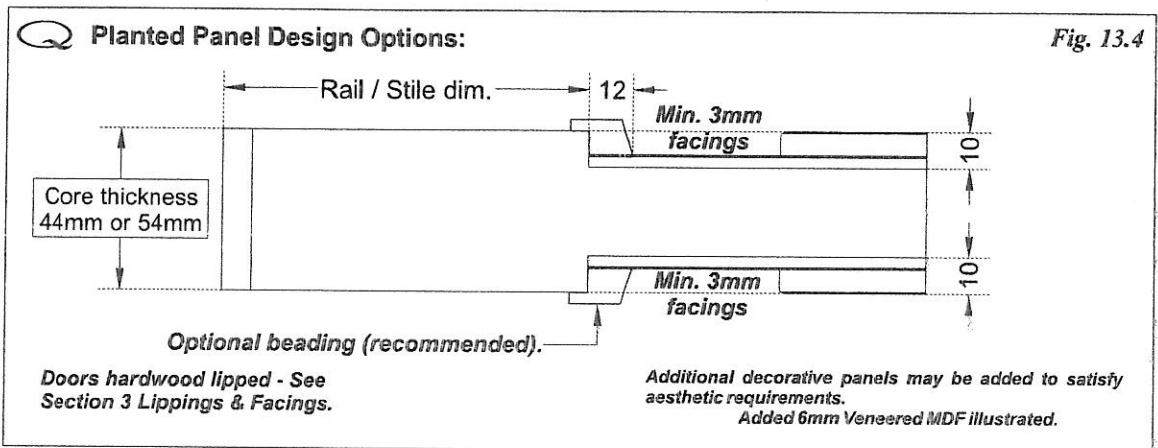
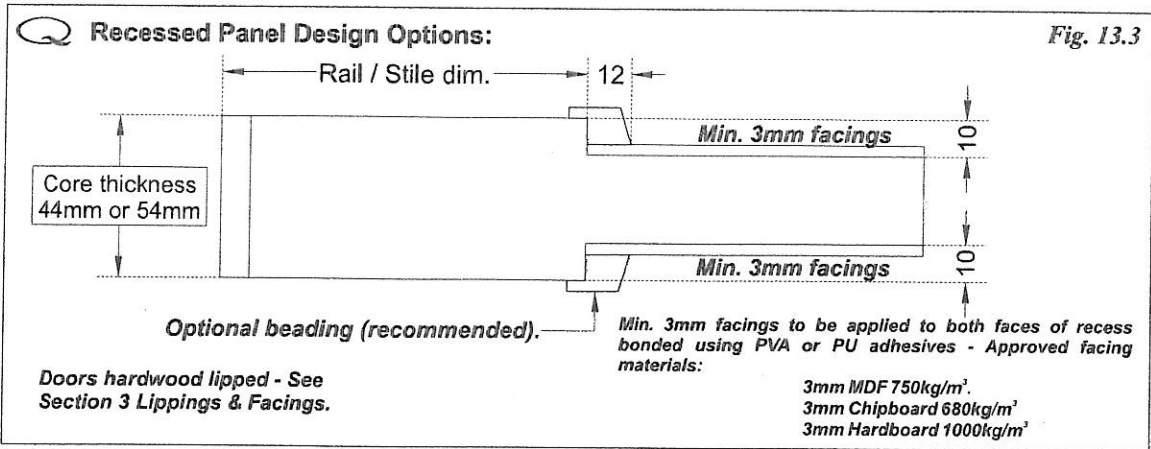
Single Leaf Configurations:



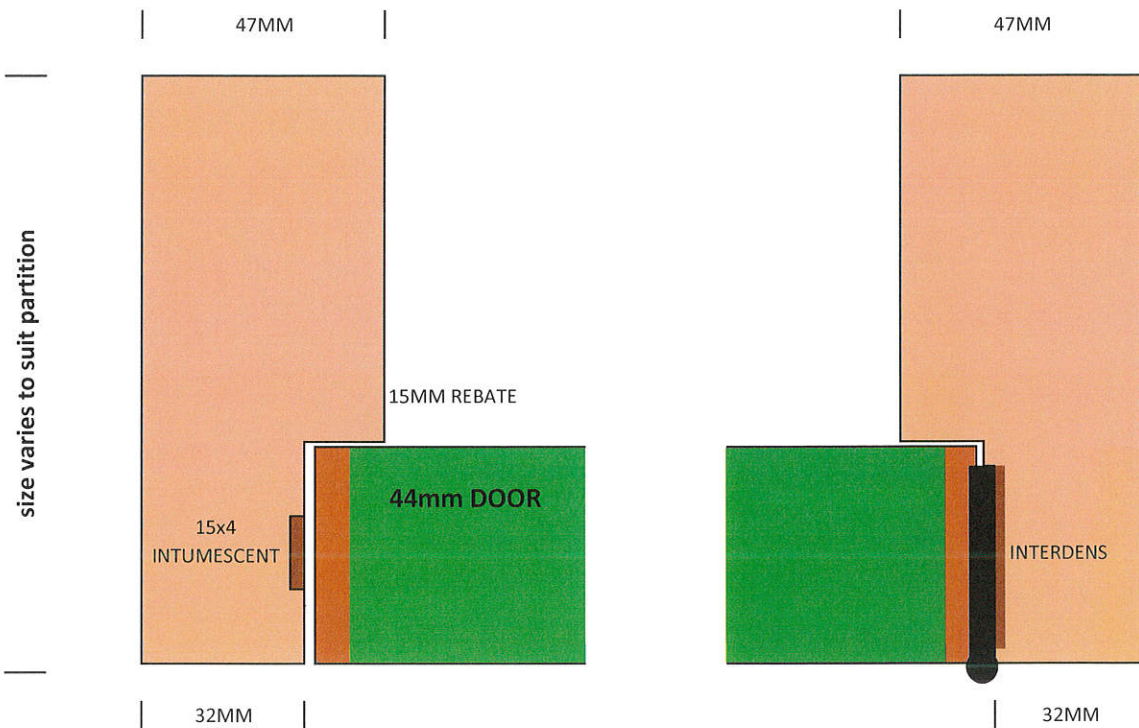
NOTE: Detail applies to all panel designs - Raised and Fielded panel design illustrated.



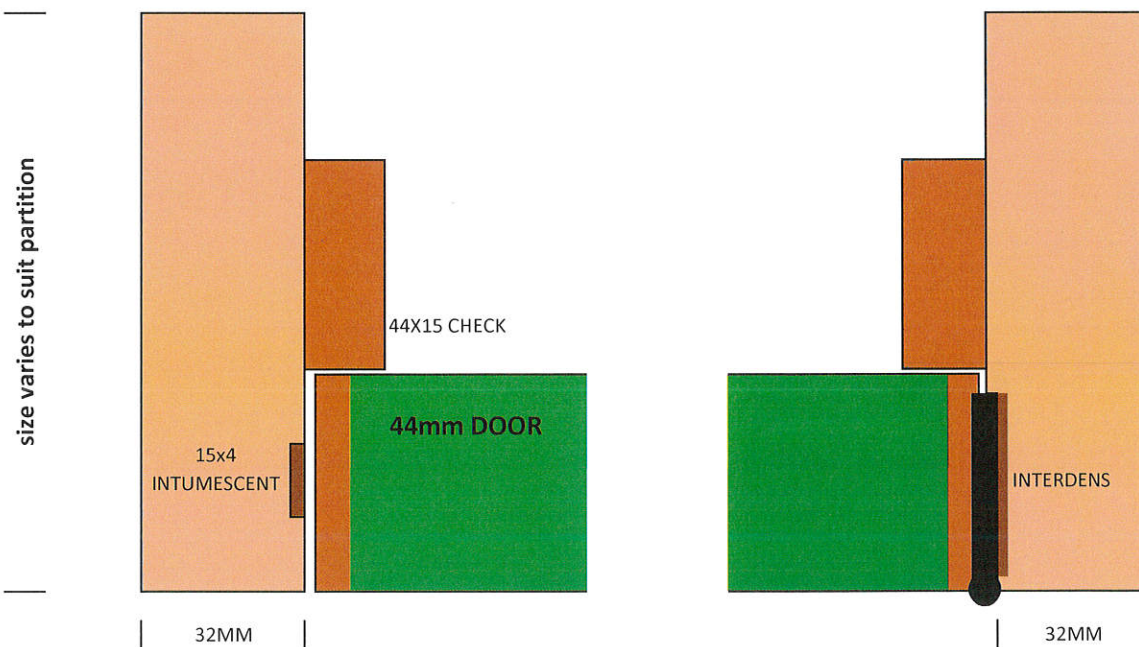
Strebord Panelled Door Construction Options:



FD30 FRAME DETAILS

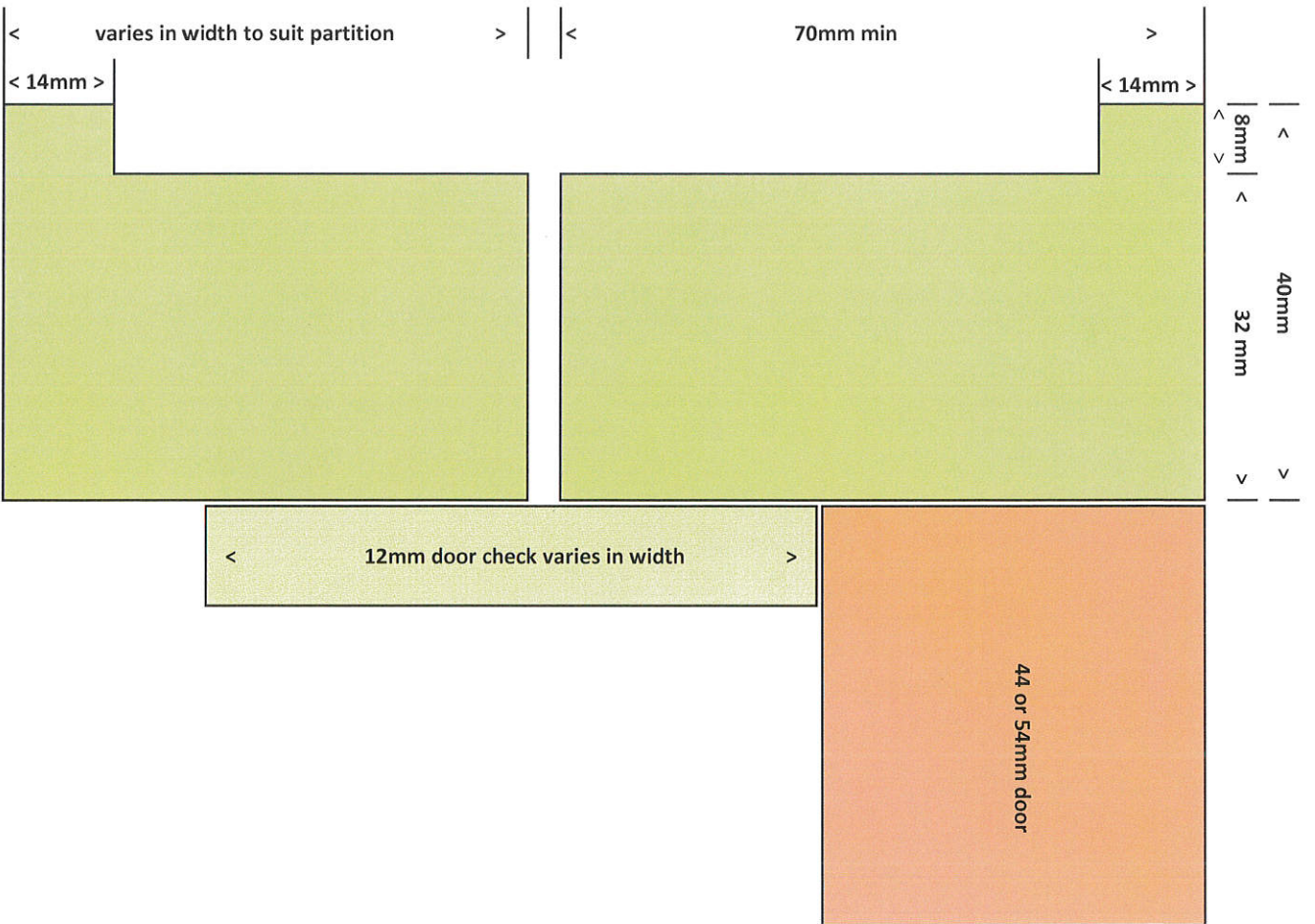


REBATED FRAME DETAILS

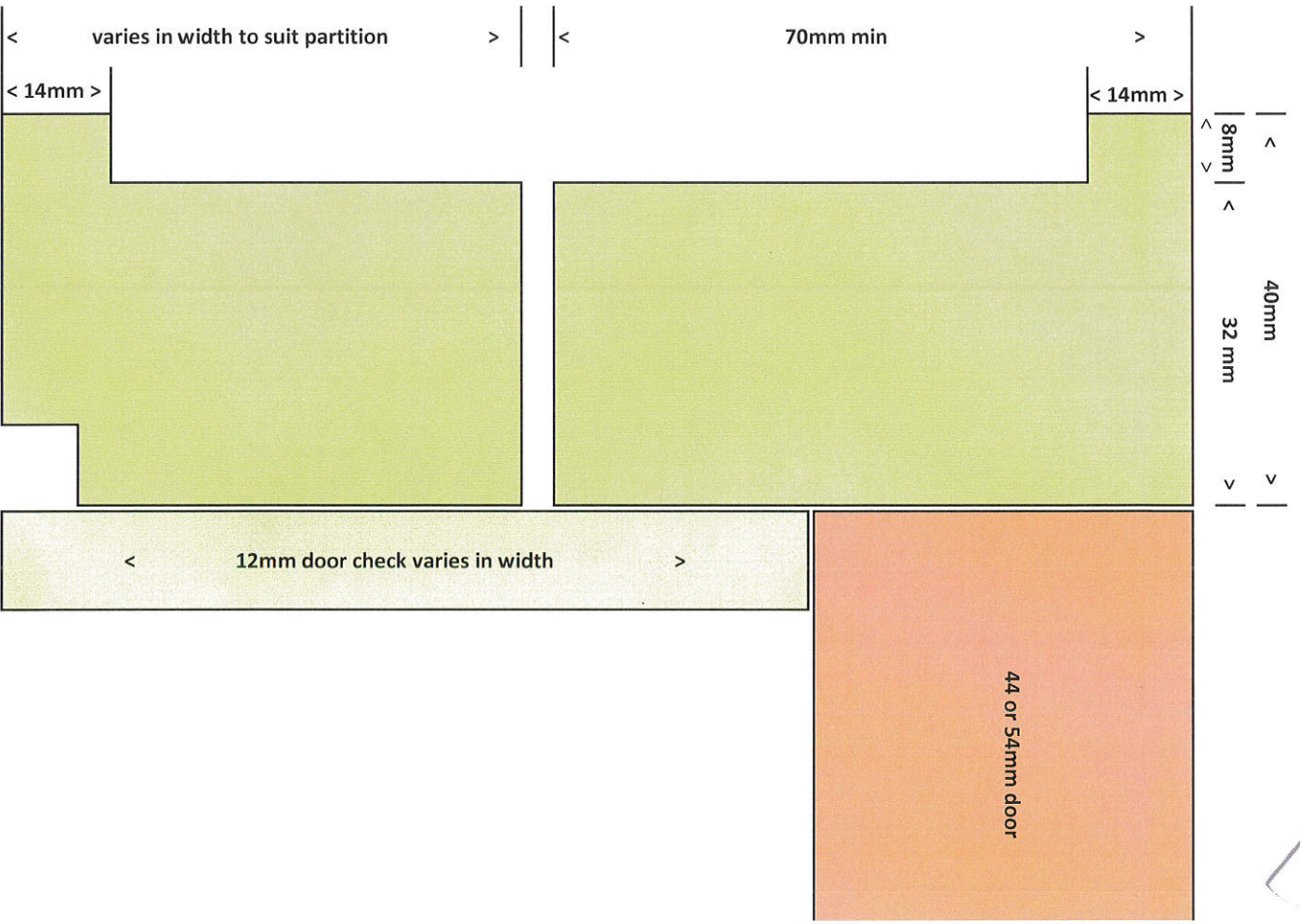


STANDARD FRAME DETAILS

SPLIT FRAME DETAIL A



SPLIT FRAME DETAIL B



10X10mm REBATE

